



**INSTALLATION INSTRUCTIONS**  
**Front Bumper Part No. 11400, 12400, 14400, 15400, 17400**  
**Fits 1976-2004 Jeep CJ, Wrangler YJ/TJ**

**HARDWARE KIT**

2 EA. 1/4" spacers ( 90-2413 )

Thank you for choosing EXPLORER PRO COMP. Your new Bumper is designed to provide years of satisfaction if properly installed and maintained. See the enclosed Product Warranty and Finish Care Guidelines for more information.

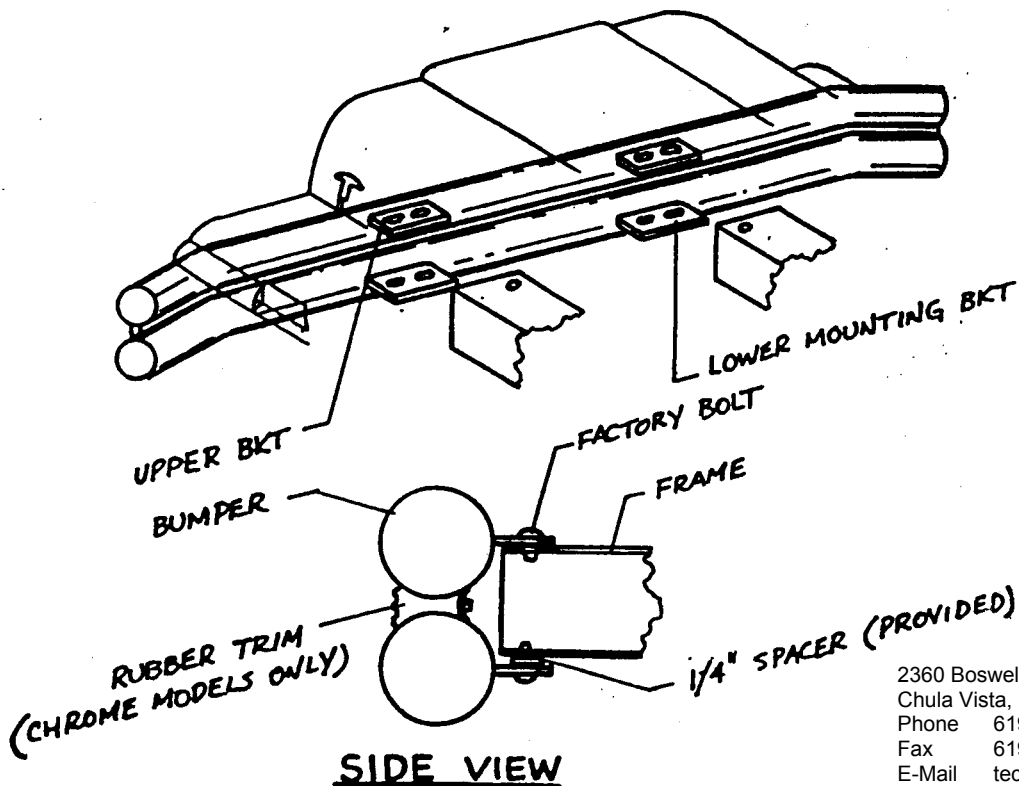
**CAUTION: BEFORE BEGINNING INSTALLATION, READ INSTRUCTIONS CAREFULLY AND COMPLETELY.**

**WARNING!! BEFORE TIGHTENING BOLTS OR DRILLING WHERE REQUIRED, CHECK TO MAKE SURE THERE ARE NO OBSTRUCTIONS SUCH AS BRAKE, FUEL, OR ELECTRICAL LINES THAT MIGHT BE DAMAGED OR DESTROYED. SIMPLE RE-ROUTING OF THESE LINES CAN PREVENT COSTLY OR DANGEROUS RESULTS!!**

**STEP 1:** Remove factory front bumper bolts, but do not discard as they are re-used for installation of your new PRO COMP Bumper.

**STEP 2:** Attach and secure new front bumper to frame utilizing same holes as those used by factory bumper as well as factory screws. Note: CJ models require use of 1/4" spacers (included in parts kit) on bottom of frame between frame and lower bumper mounting brackets on bumper.

**STEP 3:** Tighten bolts securely. Installation is complete.



2360 Boswell Road  
Chula Vista, CA 91914  
Phone 619.216.1444  
Fax 619.216.1474  
E-Mail [tech@explorerprocomp.com](mailto:tech@explorerprocomp.com)  
11.10.03